



ALWAYS read these installation instructions carefully before installing this product and leave with the end user.

ALWAYS match the correct waste to the shower base.



ALWAYS have the waste installed by a trained and experienced skilled craftsman.



NEVER use the waste without the unit fully assembled.



DO NOT place matches or cigarettes on or near this product. The following plastic materials are used in this product:
Acrylonitrile Butadiene Styrene (ABS), Nitrile Rubber



BEWARE A child finger trap may be present during the handling or use of this product.
ALWAYS Keep fingers clear of the gaps between the cover, and the locking ring.



Ensure waste pipe end and both joint surfaces of the Universal elbow and TF75 are clean and grease free.
Apply a coating of adhesive to both surfaces of each joint and assemble immediately.
WIPE AWAY ALL EXCESS ADHESIVE.

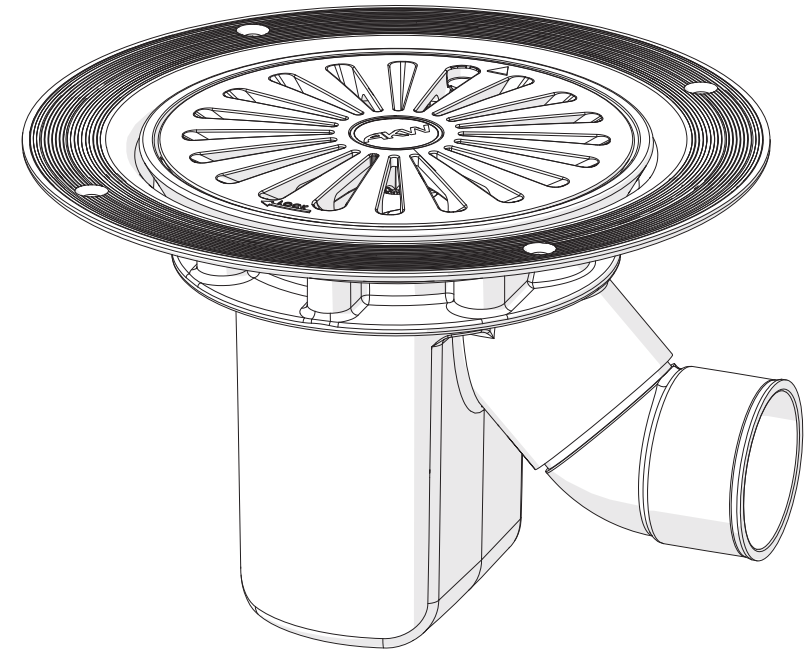
Failure to install this AKW MediCare product in accordance with supplied instructions or the making of unauthorised modifications will invalidate any warranty and will affect product safety.

The measurements throughout these installation and user care instructions have been converted from metric to its equivalent in imperial, therefore all dimensions are approximate and subject to manufacturing tolerances. This information is furnished upon the condition that the person receiving it shall make his/her own tests to determine the suitability thereof for his/her particular purpose.

AKW Medi-Care Limited, Liberty House, Pointon Way, Hampton Lovett, Droitwich Spa, WR9 0LR
Tel. +44 (0) 1905 823298 - Fax. +44 (0) 1905 823297 - www.akw-medicare.co.uk

TF75 Gravity Waste

Installation And User Care Instructions



75mm water seal trapped waste for wet floors
Universal solvent socket joint for vertical or horizontal outlets.

Colour: White RAL9016

Internal Building use only

WRcNSF tested to BS EN 274-2:2002

Patent GB2402946

EU registered Design
000189105-0001

Installer: Please ensure that this information is left with the end user of this product.

For full waste specifications see the current AKW MediCare catalogue.

Installation Instructions

Before installation check the wet floor area slopes correctly towards the waste and the waste outlet pipe slopes down and away from the waste position by approximately 25mm per metre run (1 in 40).
The outlet elbow (2) can be aligned horizontally as shown or vertically.

Gluing outlet joint

Clean all dirt, moisture and grease from the pipe and fitting socket using a clean, dry cloth.

Check dry fit of the pipe in the fitting socket.

Apply a light coat of an approved ABS solvent cement to the inside of the fitting socket and to the outside of the pipe.

Insert into fitting socket, giving the pipe a one-quarter turn and making sure it goes all the way to the socket bottom.

Hold the joint together until a tight set is attained.

Check the cement bead around the joint, wipe excess cement from the pipe.

Do not move the system until the joints have cured (set) at least as long as recommended by the solvent cement.

For Wet Floor Formers:

Follow instructions provided with the wet floor former to correctly fit the TF75 using Qty 4 countersunk head screws (4). Ensure the heads are flush and do not protrude or they may damage the wet floor covering.

Ensure the former and waste are correctly supported from below.

Install the wet floor covering ensuring all of the manufacturers instructions are followed.

For Screeded Floors:

Before placing the trap (1), ensure pipe connections (2) are correctly assembled, sealed and waterproof.

Locate the trap in the required position, ensuring the top lip and screed void (3) can be supported.

Screed the showering area ensuring the top ring and screed void (3) are filled with screed to support the trap.

When the screed has cured sufficiently, install the wet floor covering ensuring all of the manufacturers instructions are followed.

Trim the wet floor covering to fit the TF75 opening and align and fit the clamp ring (6) with Qty 4 M6 stainless steel screws (7).

Make sure the pocket in the trap below the waste pipe outlet is clean and free from all grit or other waste material.

Fit the pre-assembled trap tube, seal and bucket assembly (8) (9) (10) by simply lowering it into the D-shaped recess within the trap body. The seal (10) must not be twisted or distorted.

Position the grid cover (11) over the assembly, align the arrows and rotate the cover clockwise until the lugs snap into place.

For added security remove the two screw knock-outs and fasten the cover using the Qty 2 M4 stainless steel screws (12).

User Care Instructions

The TF75 is designed for low maintenance and reliable operation.

As part of a regular maintenance programme check and clean the waste trap bucket of accumulated hair or other waste material.

To remove and clean the bucket and trap, first remove the top cover screws, if fitted, rotate the cover anti-clockwise and lift off. Pull the bucket and trap assembly out by gripping the pinch-point.

To separate the bucket and trap, press the centre of the "D" with your thumb - the two parts will 'pop' apart. Do not disturb the seal.

Clean these parts using warm soapy water. Also flush and wash down the inner body of the trap in the floor using warm soapy water or normal domestic bathroom cleaning materials.

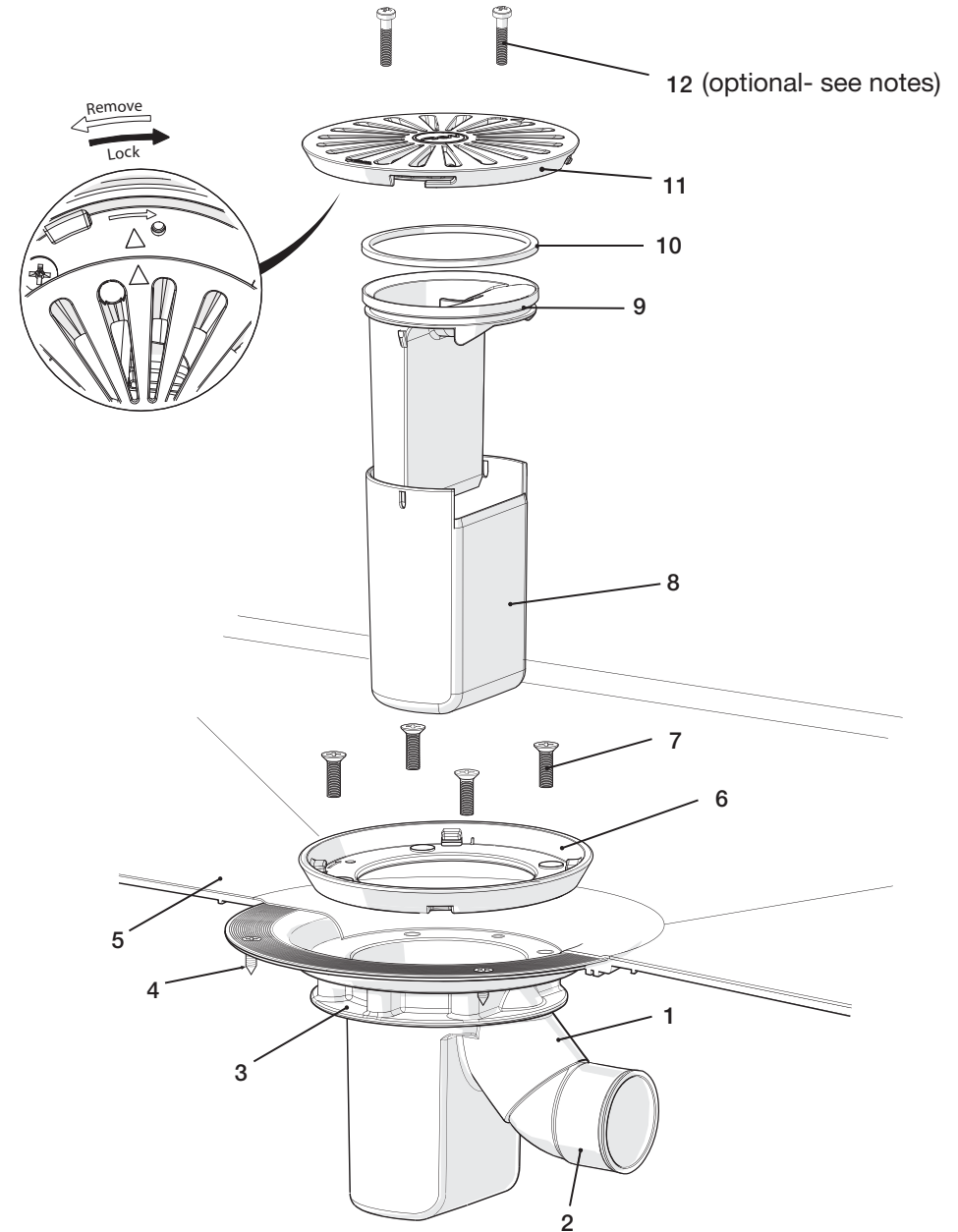
Do not use strong or concentrated acidic or alkaline cleaning materials as these may discolour or otherwise damage the product.

AKW do not approve or recommend autoclave cleaning of any of the components due to the damage this can cause to the special engineering plastics used in the construction of this product.

Flush clear of all residues using clean water.

To reassemble the trap tube and bucket, slide the bucket onto the tube until it clips into place.

Slide the trap with seal into the trap body, fit the cover and screws, if required.



Sectioned floor view of the TF75 Gravity Waste